

Intersil's Latest Technology is Available Through the High Reliability EP and EC Programs



	EP (Enhanced Product)	EC (Enhanced Commercial)
What?	VID Compliant Products	COTS Usage in Hi-Rel Systems
Descriptions	Intersil's devices with a warranty of performance over the full temperature range as defined in the VID.	Commercial program for high reliability customers concerned about obsolescence.
Features		
Enhanced Lot Combination and Traceability Practices	✓	Full military traceability only
Enhanced Obsolescence Management	✓	✓
Enhanced PCN (Process Change Notification)	✓	✓
Plastic Encapsulated Package	✓	✓
Leaded (Sn/Pb) Package	✓	Request basis only
Offered from Intersil's Entire Product Line	✓	✓
Other Benefits	Provides alternative to up screening COTS and lower cost alternative to SMDs.	Better visibility to help control parts from becoming obsolete.

➔ See next page for complete selection guide.

PROTEC GmbH
 Vertrieb elektronischer Bauteile
 Laurinweg 1 - 85521 Ottobrunn bei München
 Telefon: 089-6 60 29 23 - Fax: 089-6 09 8170
 sales@protec-semi.de - www.protec-semi.de
Ansprechpartner: Christian Mayer



Intersil's EP Products

Digitally Controlled Potentiometers (DCPs) - Non-Volatile - Single - 128 Tap

Device Number	VID#	Min V _{IN} (V)	Max V _{IN} (V)	Shutdown Current (μA)	Wiper Resistance (Ω)	Total Resistance (kΩ)	Target Application	Package
ISL22316WMUEP	V62/08603-01XB	2.7	5.5	5	70	10	General Purpose Analog	10 Ld MSOP
ISL22326WMVEP	V62/08604-01XE							14 Ld TSSOP
ISL22346WMVEP	V62/08605-01XE							20 Ld TSSOP

Linear Regulation - Low Power

Device Number	VID#	Min V _{IN} (V)	Max V _{IN} (V)	I _{OUT} (mA)	Dropout (mV)	Min PSRR (dB)	Noise Level (μVrms)	Target Application	Package
ISL9000AMRNCEP	V62/08609-01XB	2.3	6.5	300	200	90	30	Low Noise Supplies	10 Ld DFN

Single, Synchronous Buck PWM Controllers

Device Number	VID#	Min V _{IN} (V)	Max V _{IN} (V)	Min V _{OUT} (V)	Max V _{OUT} (V)	Max I _{OUT} (A)	V _{BIAS} (V)	Target Application	Package
ISL6420BMAEP	V62/07640-01XB	4.5	28	0.6	V _{IN} -0.5	20	5	POL Buck Converters	20 Ld QSOP
ISL6406MREP	V62/08610-01XB	3.3	5	0.8	5	20	3.3 to 5	POL Buck Converters	16 LD QFN
ISL6406MVEP	V62/08610-01YB	3.3	5	0.8	5	20	3.3 to 5	POL Buck Converters	16 LD TSSOP

Dual Synchronous Integrated FET Buck Regulator

Device Number	VID#	Min V _{IN} (V)	Max V _{IN} (V)	Min V _{OUT} (V)	Max V _{OUT} (V)	Max I _{OUT} (A)	Switching Frequency (MHz)	Target Application	Package
ISL65426MREP	V62/07639-01XB	2.5	5.5	1.0	3.3	6 (125C J)	1	FPGA/CPLD/DSP	50 Ld QFN

Single-Ended, Peak Current Mode PWM Controllers with 3% Current Limit

Device Number	VID#	Rising UVLO (V)	Falling UVLO (V)	Max V _{BIAS} (V)	Operating Current (mA)	Max I _{OUT} (A)	Max Duty-cycle (%)	Target Application	Package
ISL8840AMBEP	V62/07621-01XB	7	6.6	30	2.9	1	100	Boost, Flyback and Forward DC-DC Converters	8 Ld SOIC
ISL8841AMBEP	V62/07621-02XB	7	6.6	30	2.9	1	50	Boost, Flyback and Forward DC-DC Converters	8 Ld SOIC
ISL8842AMBEP	V62/07621-03XB	14.3	8.8	30	2.9	1	100	Off-line Boost, Flyback and Forward DC-DC Converters	8 Ld SOIC
ISL8843AMBEP	V62/07621-04XB	8.4	7.6	30	2.9	1	100	Boost, Flyback and Forward DC-DC Converters	8 Ld SOIC
ISL8844AMBEP	V62/07621-05XB	14.3	8.8	30	2.9	1	50	Off-line Boost, Flyback and Forward DC-DC Converters	8 Ld SOIC
ISL8845AMBEP	V62/07621-06XB	8.4	7.6	30	2.9	1	50	Boost, Flyback and Forward DC-DC Converters	8 Ld SOIC

DC/DC Power Switching Regulator

Device	VID#	Min V _{IN} (V)	Max V _{IN} (V)	Min V _{OUT} (V)	Max V _{OUT} (V)	Max I _{OUT} (A)	Switching Frequency (kHz)	Target Application	Package
ISL8560MREP	V62/08608-01XB	9	60	1.2	55	2	100-600	Non-Isolated Supplies	20 Ld QFN

Voltage References

Device	VID#	V _{OUT} (V)	Initial Accuracy (mV)	Temp Coefficient (ppm/°C)	I _S (max) (μA)	V _S Range (V)	Output Noise (typ) (μVPP)	I _{SOURCE} (max) (mA)	I _{SINK} (max) (mA)	V _S (min) (V)	V _S (max) (V)	Package
ISL21009BMB825EP	V62/08629-01XB	2.5	0.5	3	180	3.5 to 16.5	4.5	7	7	3.5	16.5	8 Ld SOIC
ISL21009CMB825EP	V62/08629-02XB	2.5	1	5	180	3.5 to 16.5	4.5	7	7	3.5	16.5	8 Ld SOIC
ISL21009BMB841EP	V62/08629-03XB	4.096	0.5	3	180	3.5 to 16.5	4.5	7	7	3.5	16.5	8 Ld SOIC
ISL21009BMB850EP	V62/08629-04XB	5	0.5	3	180	3.5 to 16.5	4.5	7	7	3.5	16.5	8 Ld SOIC
ISL21009CMB850EP	V62/08629-05XB	5	1	5	180	3.5 to 16.5	4.5	7	7	3.5	16.5	8 Ld SOIC

Intersil's EC Products

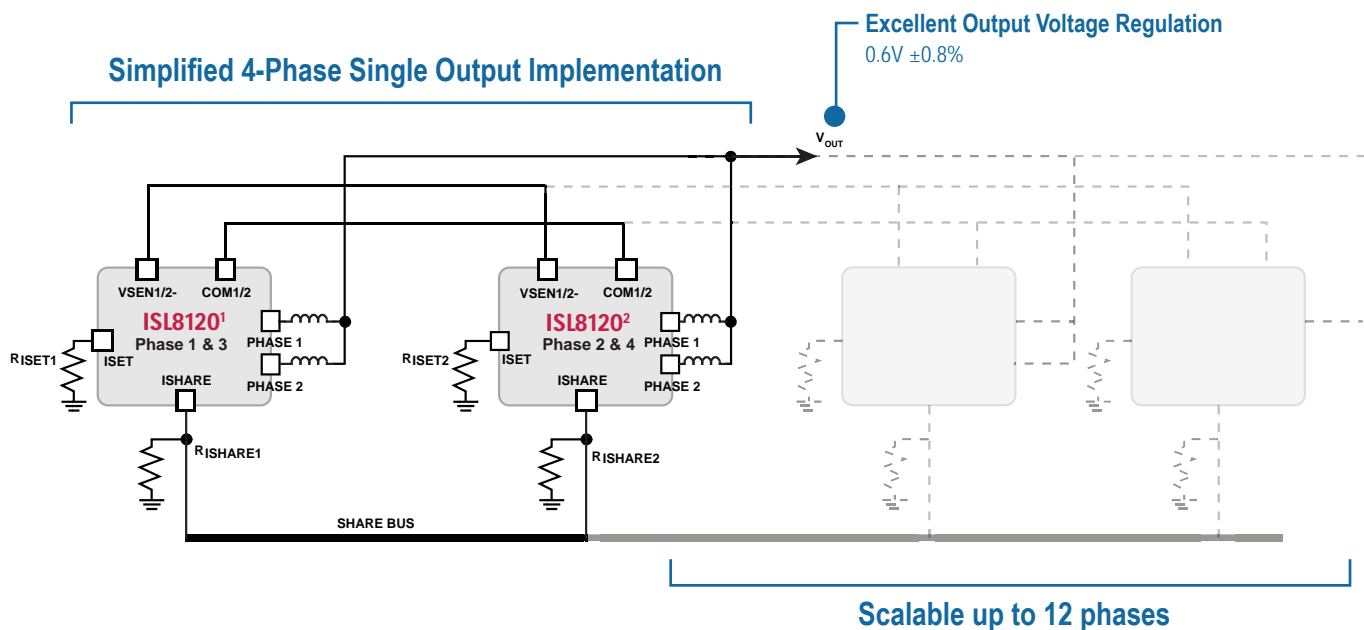
ZVS Full Bridge PWM Controller

Device	Device Description	Control Mode	UVLO Rising (V)	UVLO Falling (V)	V _{BIAS} (max) (V)	No-Load Operating Current (mA)	# of PWM Outputs	FET Driver I _{OUT} (max) (A)	Max Duty Cycle (%)	Package
ISL6551IREC	ZVS Full Bridge PWM Controller	Peak Current Mode	9.6	8.6	16	13	6	2	100	28 Ld QFN

Multiphase Controllers

Device	Device Description	V _{IN} (min) (V)	V _{IN} (max) (V)	V _{OUT} (min) (V)	V _{OUT} (max) (V)	I _{OUT} (max) (A)	V _{BIAS} (V)	I _S (min) (mA)	I _S (typ) (mA)	Package
ISL8120IRZEC	Dual/n-Phase Buck PWM Controller with Integrated Drivers	2.97	22	0.6	90% of V _{IN}	>60	2.97 to 5.60	8	12	32 Ld QFN

Scalable/Cascadeable 2/4/6/8/12-Phase PWM Controller Provides Unmatched Flexibility for Power-Hungry ASICs and Computer Designs



Key Features

- Oscillator-programmable from 150kHz to 1.5MHz
- Configurable as a dual output single-phase or single output dual-phase
- Phase shift between phases (multiple options) using frequency SYNC and Clock Out

Key Applications

- Datacom/telecom and RAID systems
- Power modules, power supplies
- CPU Power (servers, industrial computers)



Intersil Main Offices

NORTH AMERICA

WEST COAST

Intersil Headquarters
1001 Murphy Ranch Road
Milpitas, CA 95035
(TEL) 408-432-8888
(FAX) 408-434-5351
1-888-INTERSIL
1-888-468-3774

EAST COAST

1650 Robert J Conlan Blvd NE
Palm Bay, FL 32905
(TEL) 321-724-7000
(FAX) 321-729-7320
1-888-INTERSIL
1-888-468-3774

EUROPE

Avenue William Fraisse, 3
1006 Lausanne
Switzerland
(TEL) +41-21-61405-60
(FAX) +41-21-61405-79

ASIA PACIFIC

Suite 1611, 16/F Tower 2
Silvercord, 30
Canton Road,
Tsimshatsui, Kowloon
Hong Kong
(TEL) +852-2709-7600
(FAX) +852-2730-1433

JAPAN

6F, Mita Nitto Daibiru
3-11-36, Mita, Minato-ku
Tokyo, 108-0073 Japan
(TEL) +81-3-5439-2311
(FAX) +81-3-5439-2300

Intersil Sales Offices

NORTH AMERICA

Alabama

2608 Southhurst Drive
Huntsville, AL 35803
(TEL) 256-882-2702
(FAX) 256-883-8607

California

Intersil Headquarters
1001 Murphy Ranch Road
Milpitas, CA 95035
(TEL) (408) 432-8888
(FAX) (408) 434-5351

Florida

1650 Robert J. Conlan Blvd. NE
Palm Bay, FL 32905
(TEL) 321-724-7000
(FAX) 321-729-5320

Illinois

2112 Timber Ridge Lane
Hoffman Estates, IL 60195
(TEL) 847-567-2112
(FAX) 847-202-4857

Intersil ATE ICs

USA: 1-888-468-3774
Japan: 090-9099-4923
China: 021-6101-0056

Intersil D2Audio

900 S. Capital of Texas HWY
Las Cimas IV, Suite 200
Austin, TX 78746
(TEL) 512-343-9301
(FAX) 512-343-9316

Intersil Zilker Labs

4301 Westbank Dr
Building A-100
Austin, TX 78746
(TEL) 512-382-8300
(FAX) 512-382-8329

Massachusetts

161 Worcester Road, Suite 307
Framingham, MA 01701
(TEL) 508-270-6767
(FAX) 508-270-2688

New Jersey

65 Readington Road
North Branch Development Center
North Branch, NJ 08876-3557
(TEL) 908-685-6216
(FAX) 908-685-6140

New York

700 Veterans Memorial Highway
Suite #312
Hauppauge, NY 11788-4365
(TEL) 631-265-4985
(FAX) 631-724-5423

North Carolina

4020 Stirrup Creek Drive
Bldg. 2A, Suite #105,
P.O. Box 13996
Research Triangle Park, NC
27709
(TEL) 919-405-3650
(FAX) 919-405-3651

Oregon

15247 NW Greenbrier Pkwy.
Beaverton, OR 97006
(TEL) 503-690-7800
(FAX) 503-690-7818

EUROPE

Belgium

NCI Business Center
Square de Meeus, 38/40
1000 Bruxelles, Belgium
(TEL) +32-16-880-602

France

2 Rue de Marly - 3 eme Etage
78150 Le Chesnay
France
(TEL) +33-1-39-23-81-25
(FAX) +33-1-39-23-81-26

Germany

Oskar-Messter-Str. 29
85737 Ismaning, Germany
(TEL) +49-89-46263-0
(FAX) +49-89-46263-133

Italy

Via Manzoni 44
20095 Cusano Milanino (MI)
Milano, Italy
(TEL) +39-02-36567330
(FAX) +39-02-36564616

Sweden

Svärdvägen 21
Box 570
SE-182 15 Danderyd
Sweden
(TEL) +46 8 753 59 98

Switzerland

Avenue William Fraisse 3
1006 Lausanne, Switzerland
(TEL) +41-21-61405-60
(FAX) +41-21-61405-79

United Kingdom

Sandringham Avenue
Harlow Business Park
CM19 5QA Harlow
United Kingdom
(TEL) +44-1279-630922
(FAX) +44-1279-630938

ASIA

China Technical Support Hotline

(TEL) 800-820-7963

Bangalore

GC, Esquire Center
#9 M.G. Road
Bangalore 560001
(TEL) +91-80-41338400
(FAX) +91-80-41121035

Beijing

Beijing Rep Office
Suite A1901, 18 Beitapingzhuang
Road,
Haidian District, Beijing 100088, P.R.
China
(TEL) +86-10-8225-5181
(FAX) +86-10-8225-5161

Hong Kong

Suite 1611, 16/F, Tower 2
Silvercord, 30 Canton Road
Tsimshatsui, Kowloon
Hong Kong
(TEL) +852 2709-7600
(FAX) +852-2724-4369

Osaka

Osaka-Ekimae No. 4 Bldg. 16F 1-104
1-11-4-1600 Umeda, Kita-ku
Osaka-shi, 530-0001 Japan
(TEL) +81-6-6346-9730
(FAX) +81-6-6346-9731

Seoul

#616, Korea City Air Terminal Building
159-6, Samsung-Dong, Kangnam-Ku,
Seoul 135-728, Korea
(TEL) +82-2-551-0931-4
(FAX) +82-2-551-0930

Shanghai

Suite 3311, 989 Changle Road,
Shanghai 200031
P.R. China
(TEL) +86-21-6335-1198
(FAX) +86-21-6335-1958

Shenzhen

Suite 804, Han Tang Building
Overseas Chinese Town
Shenzhen 518053,
P.R. China
(TEL) +86-755-8246-5118
(FAX) +86-755-8246-1718

Singapore

290 Orchard Road
#17-10 Paragon
Singapore 238859
(TEL) +65-6748-4200
(FAX) +65-6748-0400

Taipei

8F-2, No. 96
Chien-Kuo North Road,
Sec.1, Taipei, Taiwan 104
(TEL) +886-2-2515-8508
(FAX) +886-2-2515-8369

Tokyo

6F, Mita Nitto Daibiru
3-11-36, Mita, Minato-ku
Tokyo, 108-0073 Japan
(TEL) +81-3-5439-2311
(FAX) +81-3-5439-2300



www.intersil.com

1001 Murphy Ranch Road,
Milpitas, CA 95035
North America 1-888-INTERSIL
International (01) 321-724-7143